

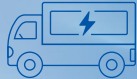


## On-board Power **GVD570-B6R6L2R5LLL**

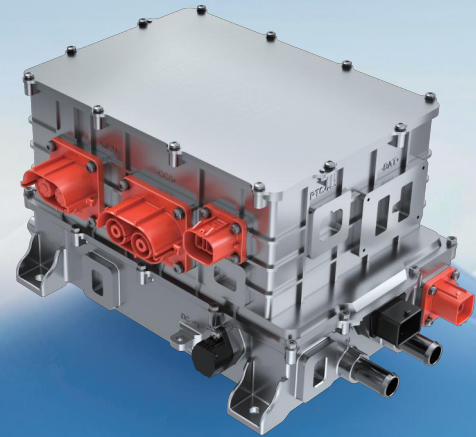
**DCDC+OBC+PDU**



Minivan



Light Truck



The 3-in-1 product integrates a 6.6 kW OBC charging module, a DCDC converter and a PDU module, each of which has comprehensive safety protections. The operating status of the OBC and the DCDC converter can be monitored in real time via the CAN bus, and the PDU module can be controlled via the VCU.



### Compact & Modular Design

- 2-in-1 integration with 6.6kW OBC & 2.5kW DCDC converter
- Modular design, PDU function optional



### High Efficiency

- OBC Max. output power up to 6.6kW; DCDC converter max. output power up to 2.5kW
- V2V & V2L function supported
- Max. output efficiency over 94%



### High Performance

- Higher switching frequency & quieter system operation with SiC semiconductor
- High power performance
- Better heat dissipation with liquid cooling



### Net Communication

- High-speed CAN network
- Bootloader, OTA and UDS supported
- Network management optional



## Technical Specification

Function			DCDC+OBC+PDU
Application			Minivan, Light Truck
DCDC	Input	High Voltage	200~450V
		Low Voltage	12V
	Output	Power	Rated: 2.2kW Peak: 2.5kW
		Voltage	14VDC
		Current	Rated: 157A Peak: 178A
OBC	Input	High Voltage	90~264VAC
		Low Voltage	12V
	Output	Power	6.6kW
		Voltage	200~460VDC
		Max. Current	≥22A
PDU	Function 1		Battery (Standard)
	Function 2		Main Drive motor (Standard)
	Function 3		Air conditioner (Standard)
	Function 4		PTC (Standard)
System Characteristics	Operation Temperature		-40~85°C
	Cooling Method		Liquid Cooling
	Size		385W×244D×206H (mm)
	Weight		±10kg
	Protection		IP67



INVT Electric Vehicle  
Drive Technology(Shenzhen) Co., Ltd.

**Add:** 3F, Block B, INVT Guangming  
Technology Building, Songbai Road,  
Matian, Guangming District, Shenzhen

**Website:** [www.invt-ev.com](http://www.invt-ev.com)

**Email:** [invt-emobility@invt.com.cn](mailto:invt-emobility@invt.com.cn)

INVT E-mobility

